

Nitto Kohki DIE GRINDERS

Acorn Industrial Products Co

520 Hertzog Boulevard | King of Prussia, PA 19406

Phone 800-523-5474 | Fax 800-782-6780

E-Mail acorn@acornindprod.com | Web acornindprod.com

Die Grinder Features

- Ideal for most deburring, finishing and grinding applications
- Precision machined with heavy duty spindle and support bearings
- Rear exhaust with patented noise reduction system
- Suitable for industrial and production applications
- Locking throttle lever helps prevent accidental start-up
- Accepts most stone-type and rotary carbide burrs with 1/4" shanks



Model	L-35C*
Air Pressure	85 psi
Air Consumption	12.4 CFM
Free Speed	37,500 RPM
Size of Collet Chuck	1/4"
Hose Size Requirement	3/8" ID
Dimension	6-23/32"
Weight (w/o hose)	1.0 lbs.
Accessories Included	1/8" chuck sleeve, grinding stone, spanner, air hose

*Stone type bits: must be safety approved to operate at or above 37,500 rpm

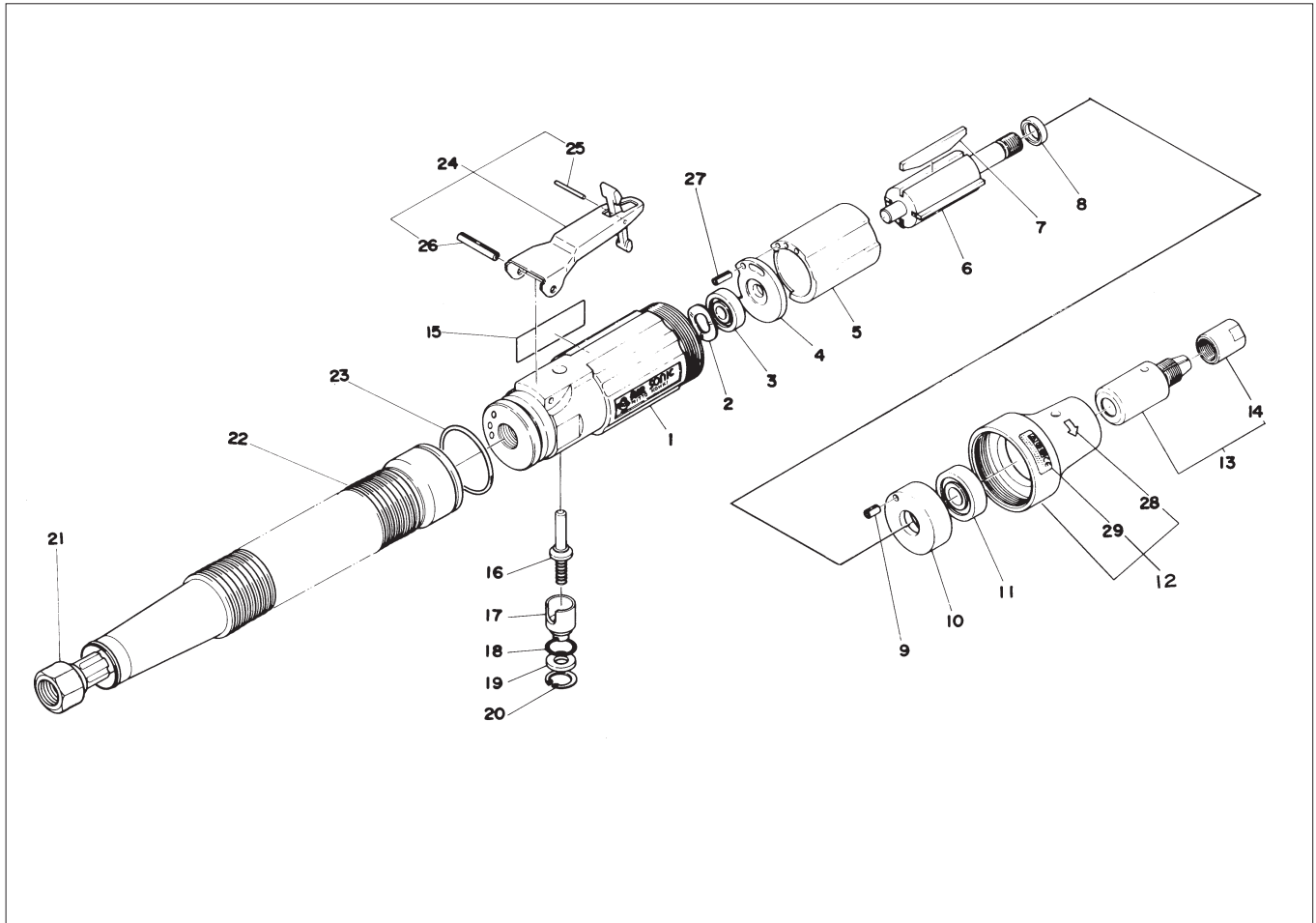


Model	L-25B
Air Pressure	85 psi
Air Consumption	14.1 CFM
Free Speed	27,000 RPM
Size of Collet Chuck	1/4"
Hose Size Requirement	3/8" ID
Dimension	5-11/32"
Weight (w/o hose)	1.3 lbs.
Accessories Included	1/8" chuck sleeve, grinding stones, spanner, air hose, chuck pin
Optional Accessories	3/16" chuck sleeve



Model	AL-55
Air Pressure	85 psi
Air Consumption (no load)	6 CFM
Free Speed	56,500 RPM
Size of Collet Chuck	1/8"
Hose Size	1/4"
Dimension	5-1/16"
Weight (w/o hose)	.55 lbs.
Accessories Included	2 spanner wrenches, mounted grinding stone, mounted wheel 5x13x3

AIR SONIC L-25B ASSEMBLY AND PARTS LIST



The part numbers with () are included in the Ass'y parts written above them.

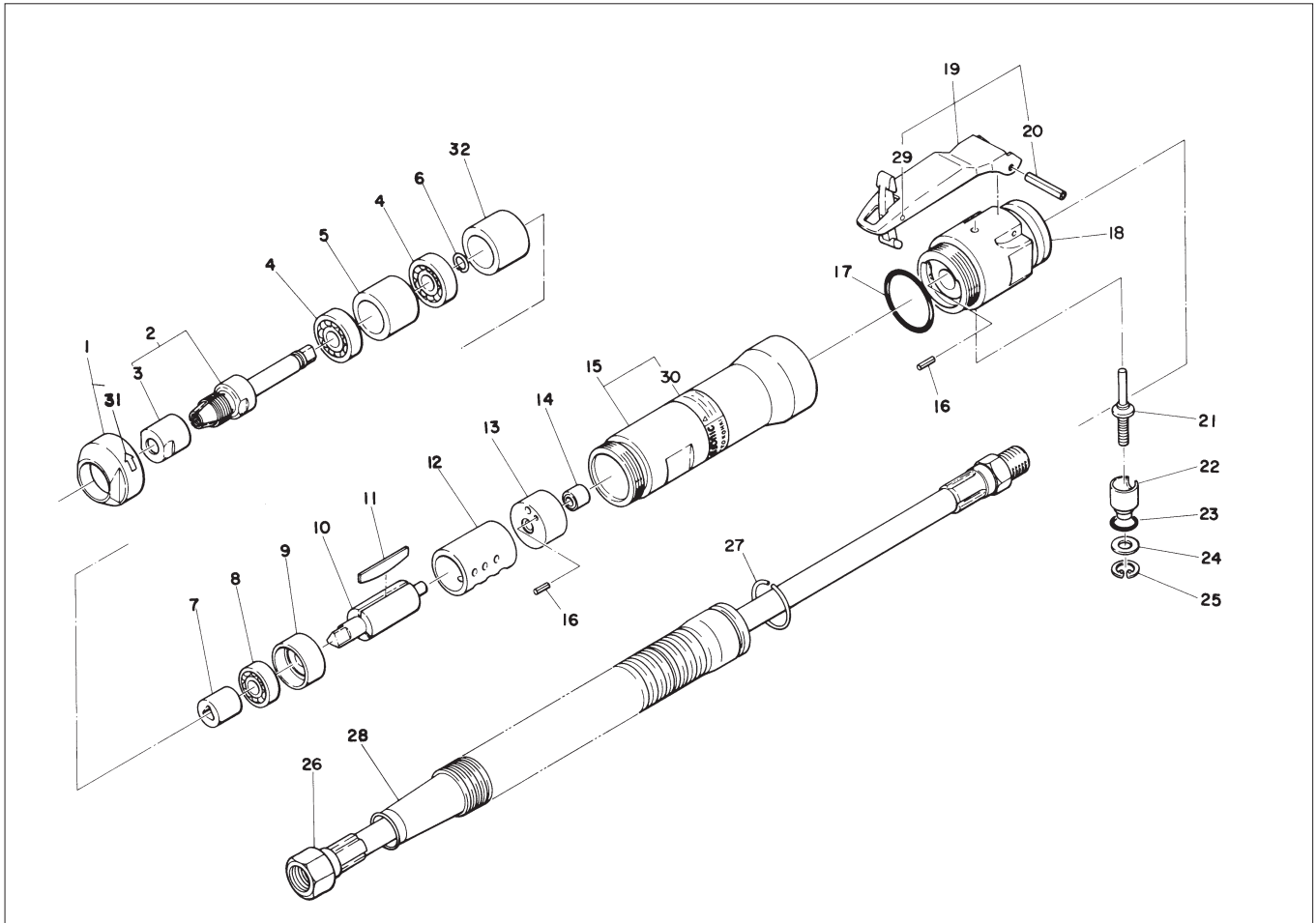
No.	Part No.	Part Name	Q'ty	Price
1	TP11479	Housing	1 set	
15	(TQ02058)	Label Warning	1	
2	TP06117	Wave Washer 12 X 16 X 0.3	1	
3	TP03933	Bearing R-1760 ZZ	1	
4	TP06119	End Plate A	1	
5	TP06121	Cylinder	1	
6	TQ06118	Rotor	1	
7	TA9A287	Blades (4 pcs/set)	1 set	
8	TP06322	Spacer 8 X 11 X 3	1	
9	TP00496	Spring Pin 2.5 X 6	1	
10	TP14931	End Plate B	1	
11	TP00468	Ball Bearing 608Z	1	
12	TP06323	Lock Ring Ass'y	1 set	
28	(TP12437)	Label -Direction	1	
29	(TQ02207)	Label CE-Mark	1	
13	TA96328	MM Chuck Ass'y	1 set	
	TA96329	Inch Chuck Ass'y	1 set	
14	(TP10742)	Chuck Nut	1	
16	TA93070	Valve Stem Ass'y	1 set	
17	TP06325	Adjust Valve	1	
18	TP11997	O-Ring KS-7	1	
19	TP06326	Spacer 6 X 12 X 1.2	1	

No.	Part No.	Part Name	Q'ty	Price
20	TP03695	Retaining Ring	1	
21	TA96867	Air Hose Ass'y PT1/4	1 set	
22	TQ01664	Exhaust Hose	1	
23	TP09153	Stop Ring 0-27 X 2.6	1	
24	TB01152	Lever Ass'y	1 set	
25	(TP05498)	Spring Pin 2 X 16	1	
26	(TP00460)	Spring Pin 3 X 22	1	
27	TP12435	Spring Pin 2.5 X 10	1	

ACCESSORIES

No.	Part No.	Part Name	Q'ty	Price
	TP00475	Spanner 14	1	
	TP03840	Chunk Pin	1	
	TQ04067	Instruction Manual	1	
	TQ04068	Instruction Manual (USA)	1	
	TP02236	Reducer PT1/4 X NPT1/4	1	
	TP02804	Chuck Sleeve 1/4 X 1/8	1	
	TP02805	Chuck Sleeve 1/4 X 3/16	1	

AIR SONIC L-35C ASSEMBLY AND PARTS LIST



The Part Numbers with () are included in the Ass'y parts written above them.

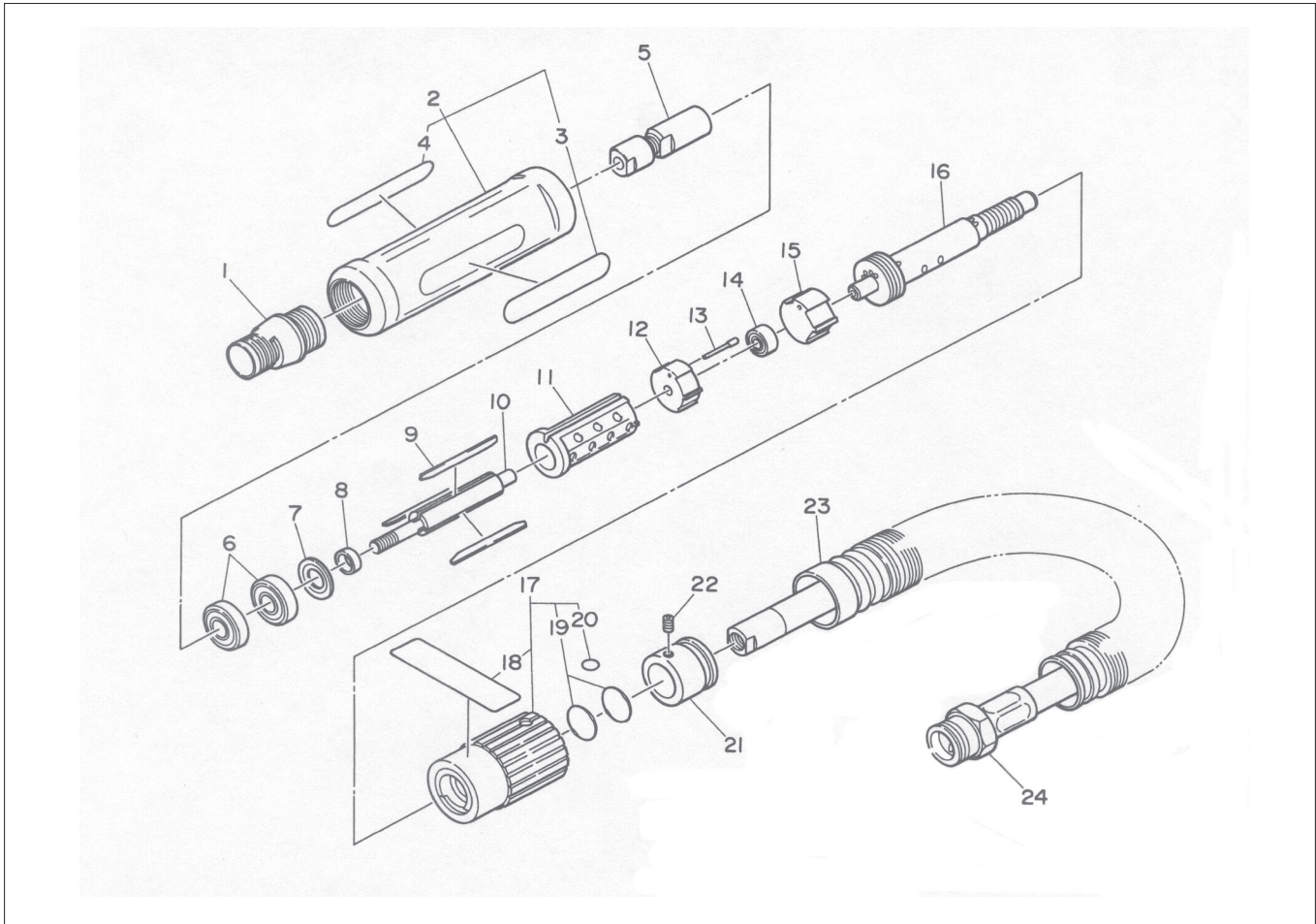
No.	Part No.	Part Name	Q'ty	Price
1	TB01632	Cap Ass'y	1 set	
31	(TP12437)	Label -Direction	1	
2	TB02507	6mm Chuck Sub Ass'y	1 set	
	TB02511	Chuck 1/4" Sub Ass'y	1 set	
3	(TP10742)	Chuck Nut	1	
4	FQ00263	Bearing 6900ZZ	2	
5	TQ03266	Collar A (Spacer)	1	
6	TP04930	Stop Ring 6.8 X 1.0	1	
7	TA99920	Joint Ass'y	1 set	
8	TP06386	Ball Bearing 607 ZZ	1	
9	TP04936	End Plate B	1	
10	TP11751	Rotor	1	
11	TA9A286	Blades (3 pcs/set)	1 set	
12	TP04938	Cylinder	1	
13	TP11752	End Plate A	1	
14	TP11753	Needle Bearing	1	
15	TB03149	Housing Ass'y	1 set	
30	(TQ04065)	Label CE-Mark	1	
16	TP07006	Spring Pin 2 X 8	2	
17	TP07951	O-Ring S-28	1	
18	TP11755	Valve Body	1	

No.	Part No.	Part Name	Q'ty	Price
19	TB01152	Lever Ass'y	1 set	
29	(TP05498)	Spring Pin 2 X 16	1	
20	(TP00460)	Spring Pin 3 X 22	1	
21	TA93070	Valve Stem Ass'y	1 set	
22	TP06325	Adjust Valve	1	
23	TP11997	O-Ring KS-7	1	
24	TP06326	Spacer 6 X 12 X 1.2	1	
25	TP03695	Retaining Ring	1	
26	TA96867	Air Hose Ass'y PT1/4	1 set	
27	TP09153	Stop Ring 0-27 X 2.6	1	
28	TQ01664	Exhaust Hose	1	
32	TP11748	Collar	1	

ACCESSORIES

No.	Part No.	Part Name	Q'ty	Price
	TP00475	Spanner 14	2	
	TP10471	Grinding Attachment	1	
	TQ04067	Instruction Manual	1	
	TQ04068	Instruction Manual (USA)	1	
	TP02236	Reducer PT1/4 X NPT1/4	1	
	TP02804	Chuck Sleeve 1/4 X 1/8	1	
	TP02805	Chuck Sleeve 1/4 X 3/16	1	

AIR SONIC AL-55 ASSEMBLY AND PARTS LIST



The Part Numbers with () are included in the Ass'y parts written above them.

No.	Part No.	Part Name	Q'ty	Price
1	TQ04536	Front Cover	1	
2	TB03484	Housing Ass'y	1 set	
3	(TQ04361)	Model Number Label	1	
4	(TQ04362)	Specification Label	1	
5	TB03308	Chuck Ass'y 3mm	1 set	
	TB03453	Chuck 1/8" Ass'y	1 set	
6	TQ04348	Front Ball Bearing	2	
7	TQ04346	End Plate B	1	
8	TQ04347	Spacer	1	
9	TB03352	Blades (3 pcs/set)	1 set	
10	TQ04343	Rotor	1	
11	TQ04344	Cylinder	1	
12	TQ04345	End Plate A	1	
13	TQ04365	Positioning Pin	1	
14	TQ04349	Rear Ball Bearing	1	
15	TQ04364	Intake Plate	1	
16	TB03309	Hose Plug Ass'y	1 set	

No.	Part No.	Part Name	Q'ty	Price
17	TB03485	Valve Ass'y	1 set	
18	(TQ04531)	Label Warning CE MARK	1	
19	(TP12004)	O-Ring P-10	2	
20	(TP11994)	O-Ring P-4	1	
21	TQ04366	Rear End Holder	1	
22	TQ04369	Hex. Socket Set Screw 4 X 3	1	
23	TQ04367	Exhaust Hose	1	
24	TQ04368	Charge Hose	1	

ACCESSORIES

	TQ04537	Mounted Wheel 5 X 13 X 1/8	1	
	TB03355	Spanner Ass'y	1 set	
	(TQ04370)	Spanner 7	1	
	(TQ04371)	Spanner 7 X 9	1	
	TQ04068	Instruction Manual	1	